

2

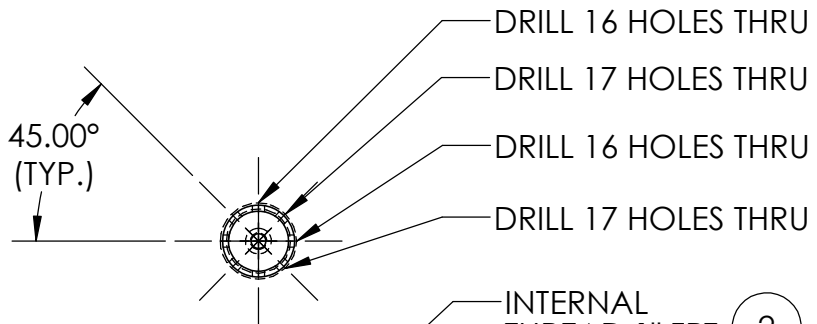
1

B

B

A

A

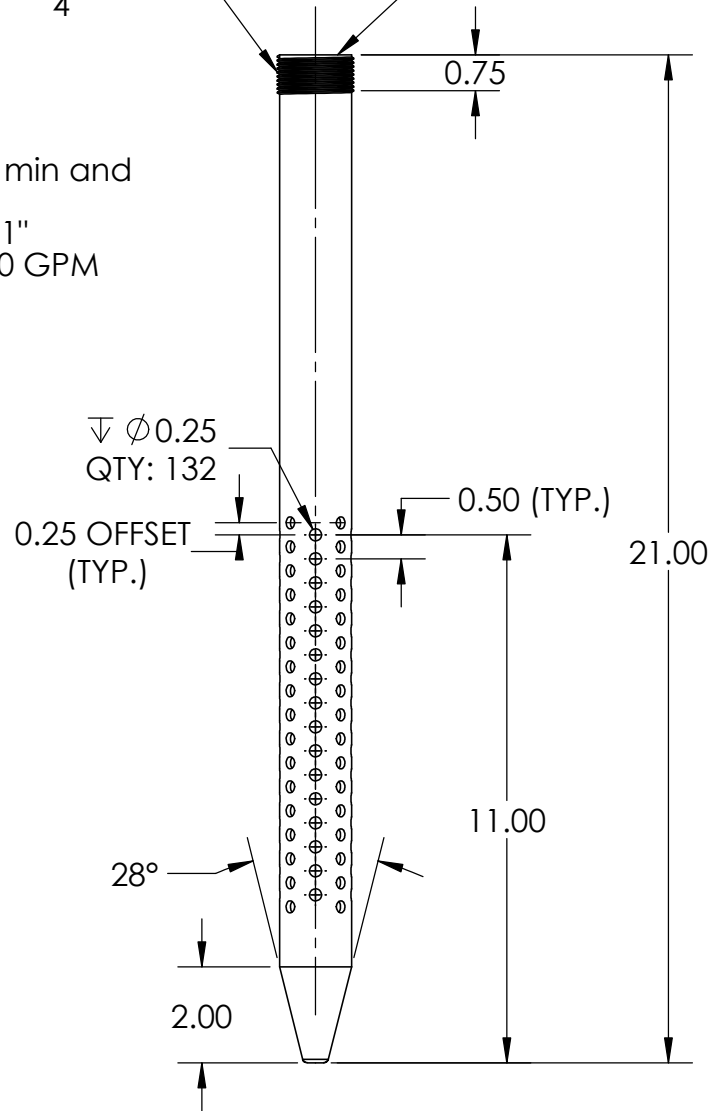


1 EXTERNAL THREAD 1 ¹/₄" MPT

INTERNAL THREAD 1" FPT 2

Note:

- 1. Outside diameter min and max is 1.66"
- 2. Inside diameter is 1"
- 3. Max Flow Rate - 90 GPM



PROPRIETARY AND CONFIDENTIAL
 THE INFORMATION CONTAINED IN THIS DRAWING IS THE SOLE PROPERTY OF RT CONNECTIONS, LLC. ANY REPRODUCTION IN PART OR AS A WHOLE WITHOUT THE WRITTEN PERMISSION OF RT CONNECTIONS, LLC IS PROHIBITED.

		DIMENSIONS ARE IN INCHES	
		TOLERANCES:	
		FRACTIONAL ±	
		ANGULAR: MACH ± BEND ±	
		TWO PLACE DECIMAL ±	
		THREE PLACE DECIMAL ±	
		MATERIAL	
NEXT ASSY	USED ON	FINISH	
APPLICATION		DO NOT SCALE DRAWING	

	NAME	DATE
DRAWN	MH	24AUG16
CHECKED	CT	24AUG16
ENG APPR.	BF	24AUG16
MFG APPR.	BF	24AUG16
Q.A.	BF	24AUG16
COMMENTS:		

RT CONNECTIONS, LLC		
SILVER HAWG DOWN HOLE UNIT		
SIZE A	DWG. NO. DH0001	REV.
SCALE:1:4	WEIGHT:	SHEET 1 OF 1

2

1