

2

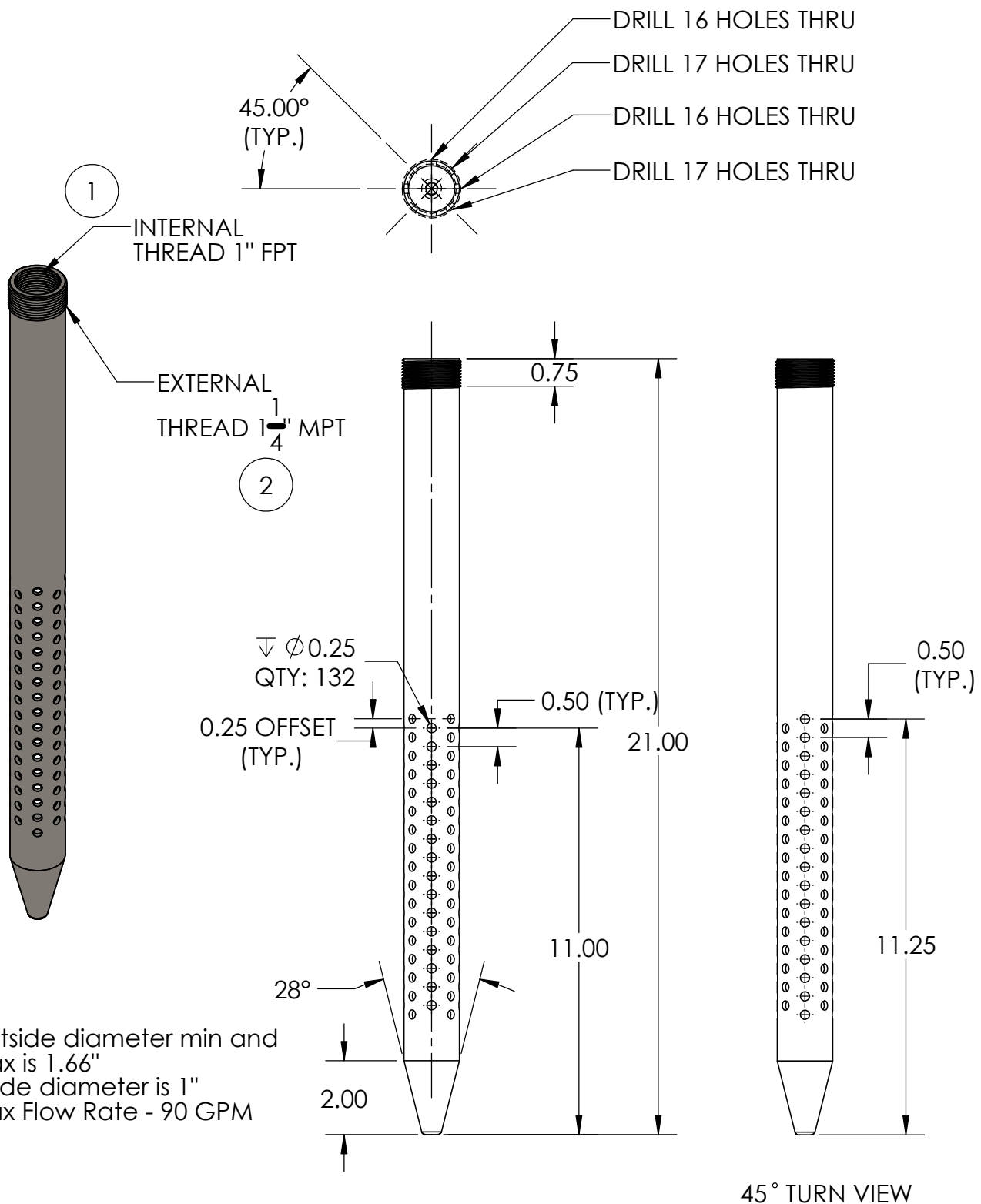
1

B

B

A

A



Note:

1. Outside diameter min and max is 1.66"
2. Inside diameter is 1"
3. Max Flow Rate - 90 GPM

PROPRIETARY AND CONFIDENTIAL

THE INFORMATION CONTAINED IN THIS DRAWING IS THE SOLE PROPERTY OF RT CONNECTIONS, LLC. ANY REPRODUCTION IN PART OR AS A WHOLE WITHOUT THE WRITTEN PERMISSION OF RT CONNECTIONS, LLC IS PROHIBITED.

		DIMENSIONS ARE IN INCHES		NAME	DATE
		TOLERANCES:		DRAWN	MH 24AUG16
		FRACTIONAL ±		CHECKED	CT 24AUG16
		ANGULAR: MACH ± BEND ±		ENG APPR.	BF 24AUG16
		TWO PLACE DECIMAL ±		MFG APPR.	BF 24AUG16
		THREE PLACE DECIMAL ±		Q.A.	BF 24AUG16
		MATERIAL		COMMENTS:	
NEXT ASSY	USED ON	FINISH			
APPLICATION		DO NOT SCALE DRAWING			

RT CONNECTIONS, LLC

**SILVER HAWG
DOWN HOLE UNIT**

SIZE	DWG. NO.	REV.
A	DH0002	
SCALE: 1:4	WEIGHT:	SHEET 1 OF 1

2

1